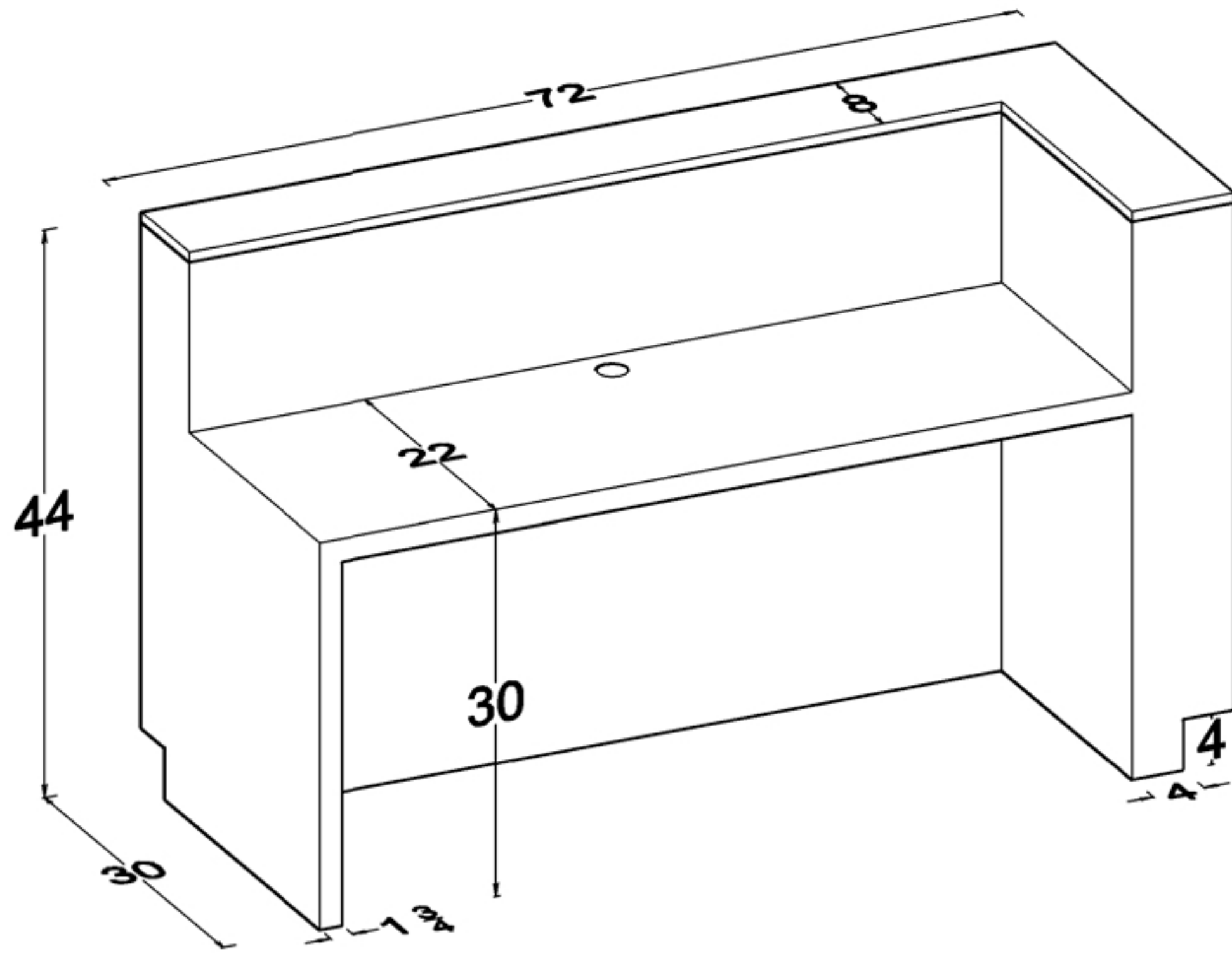


# MANHATTAN-SHAPE RECEPTION DESK

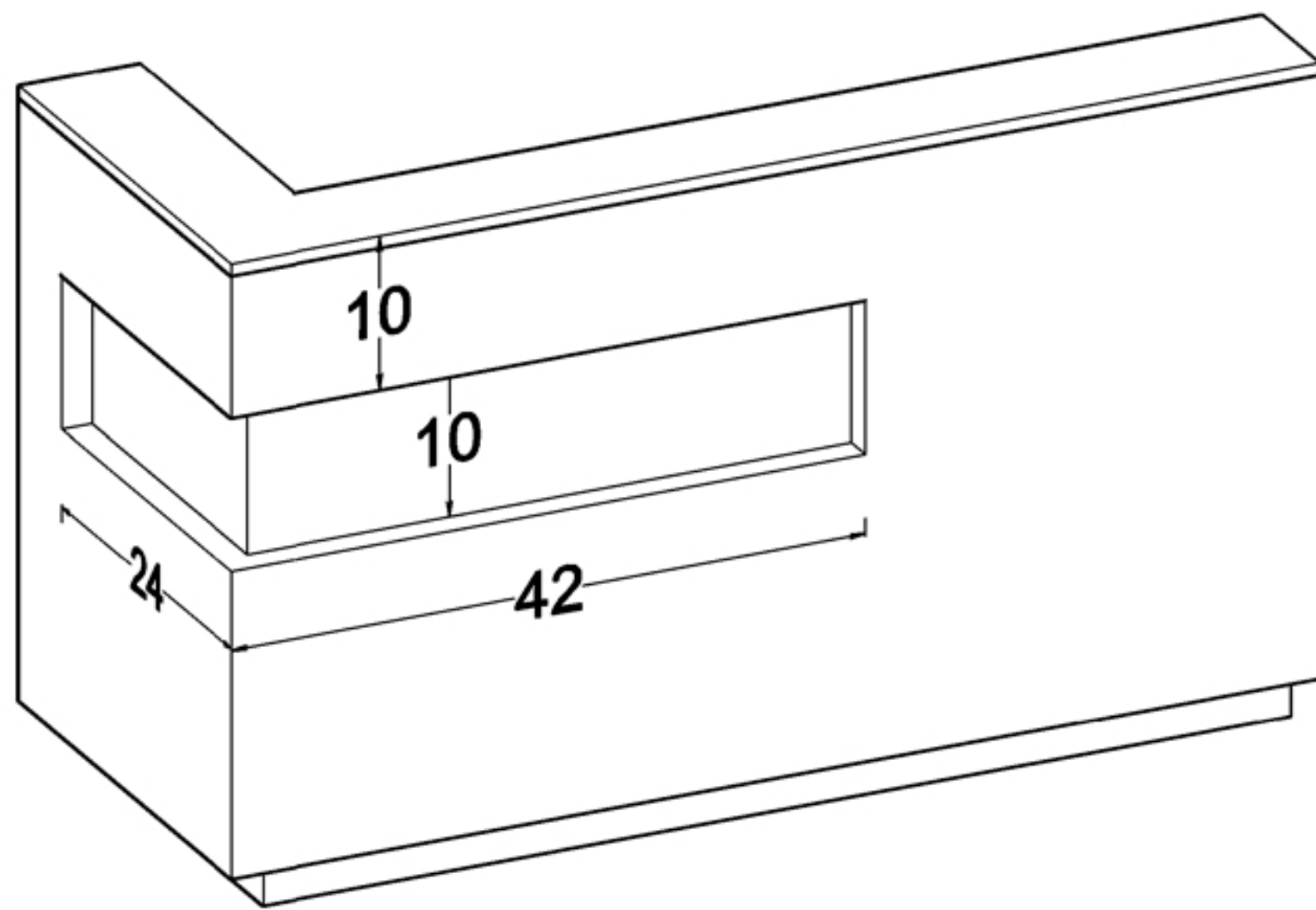
## TECHNICAL SPECIFICATIONS

aXis

### Back Side



### Front Side



### Storage position

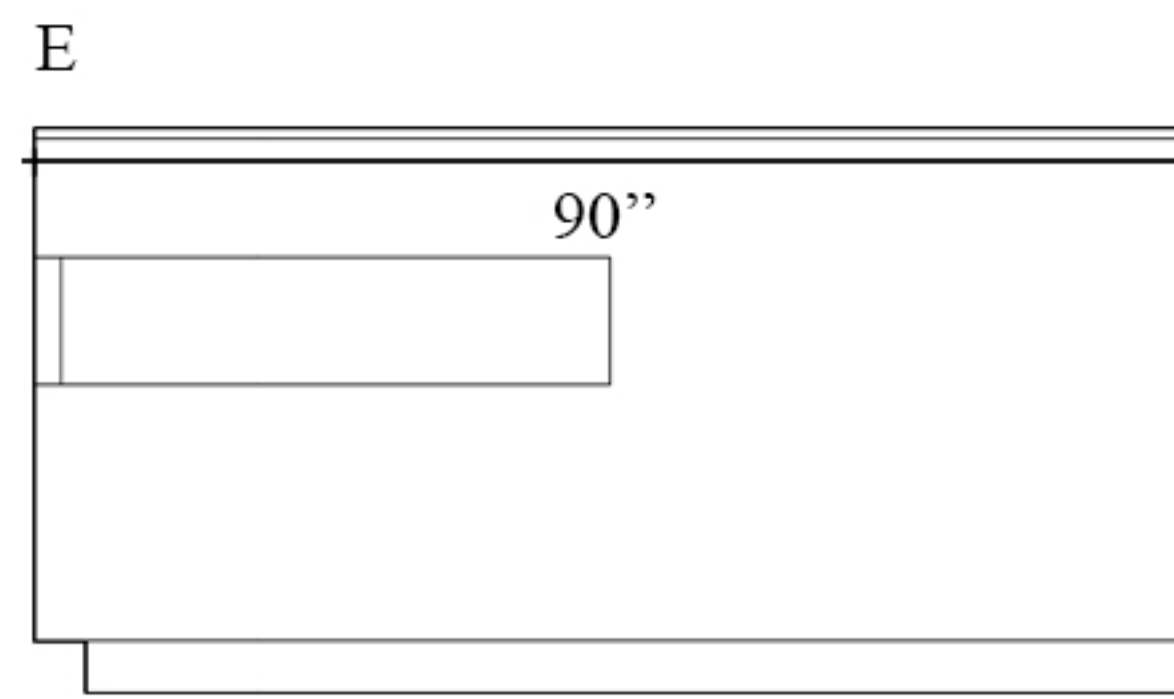
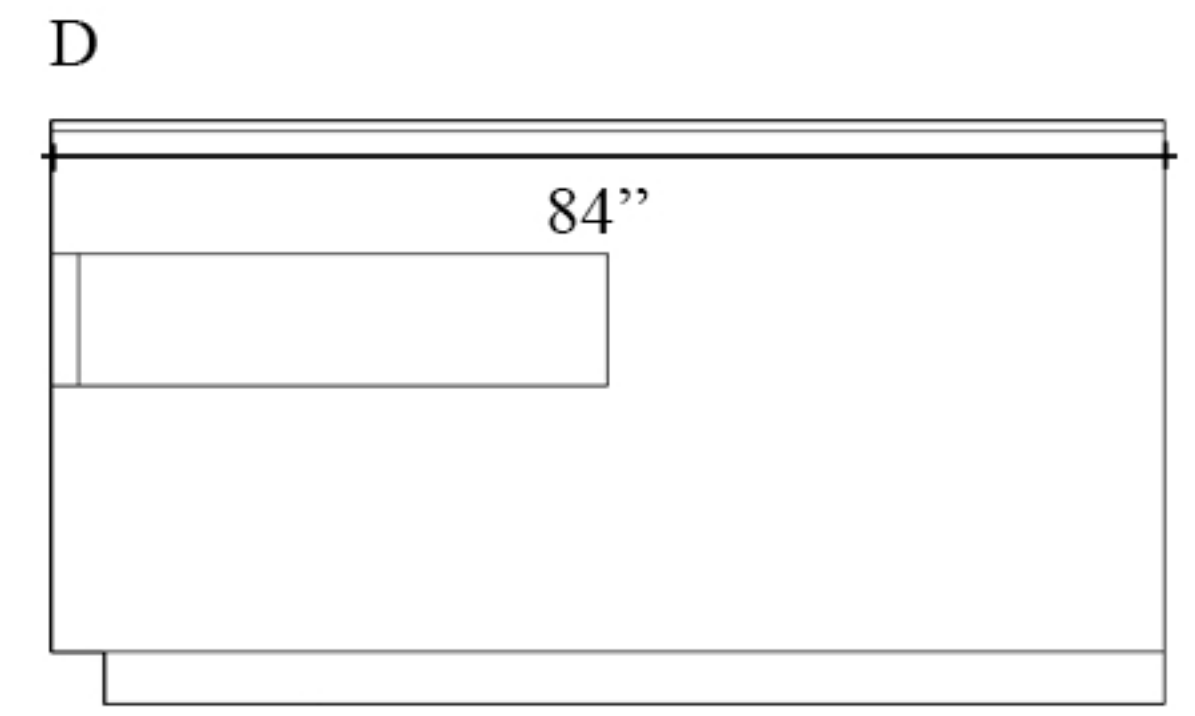
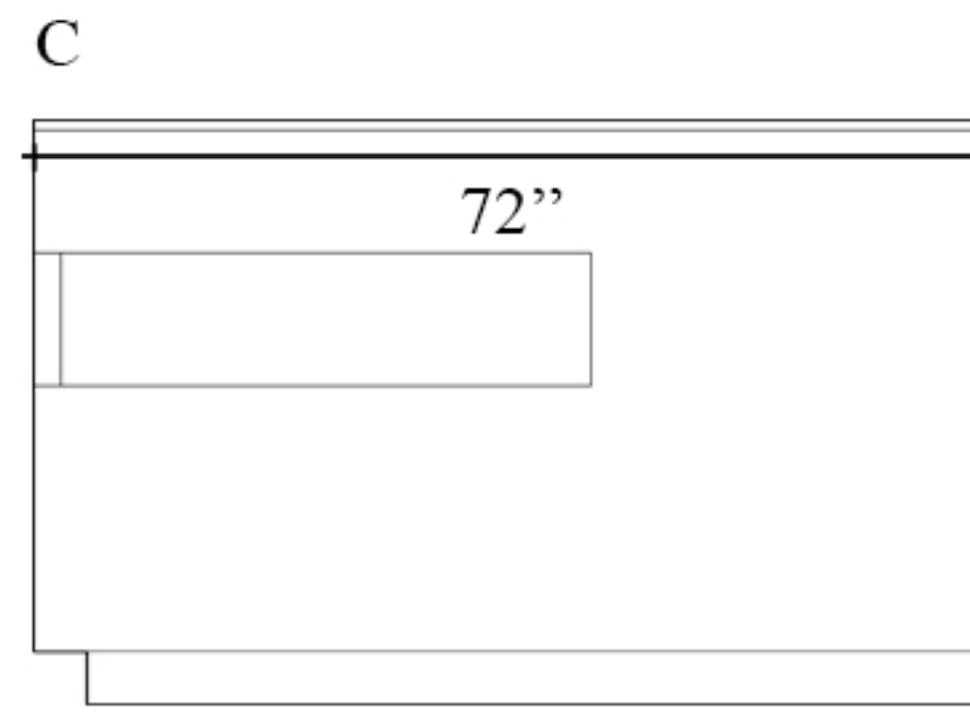
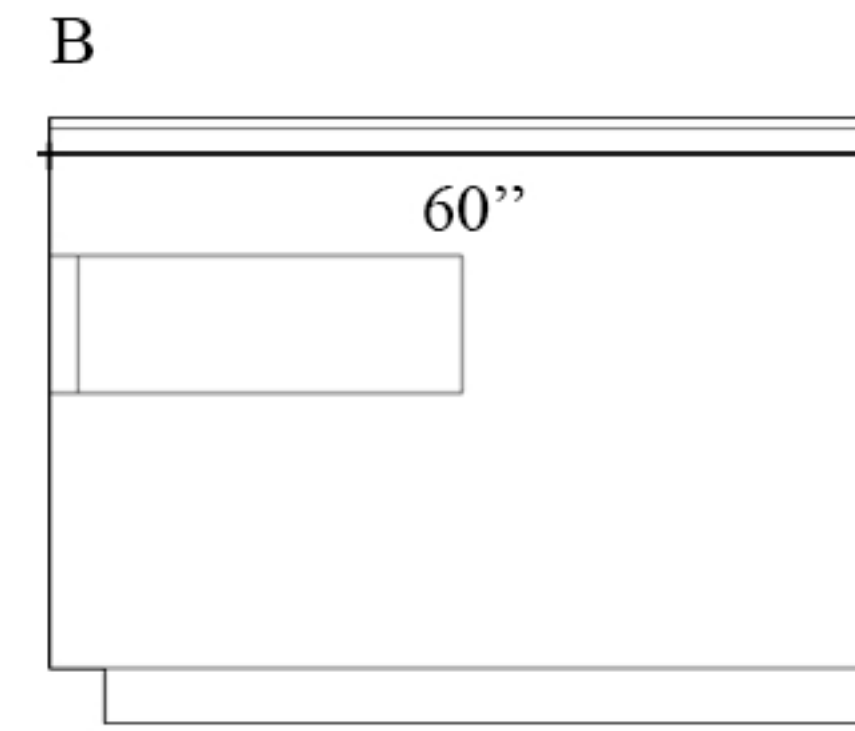
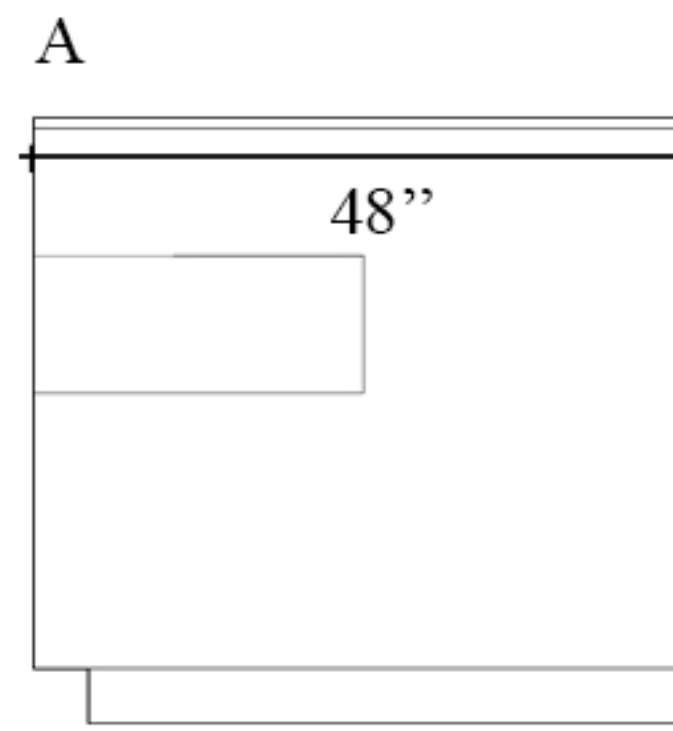


Left

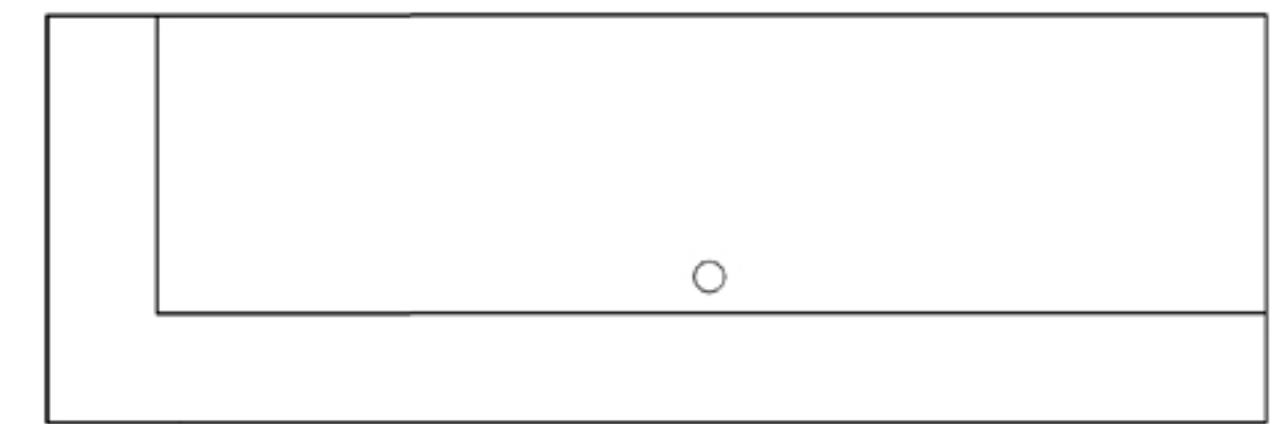


Right

### Size options

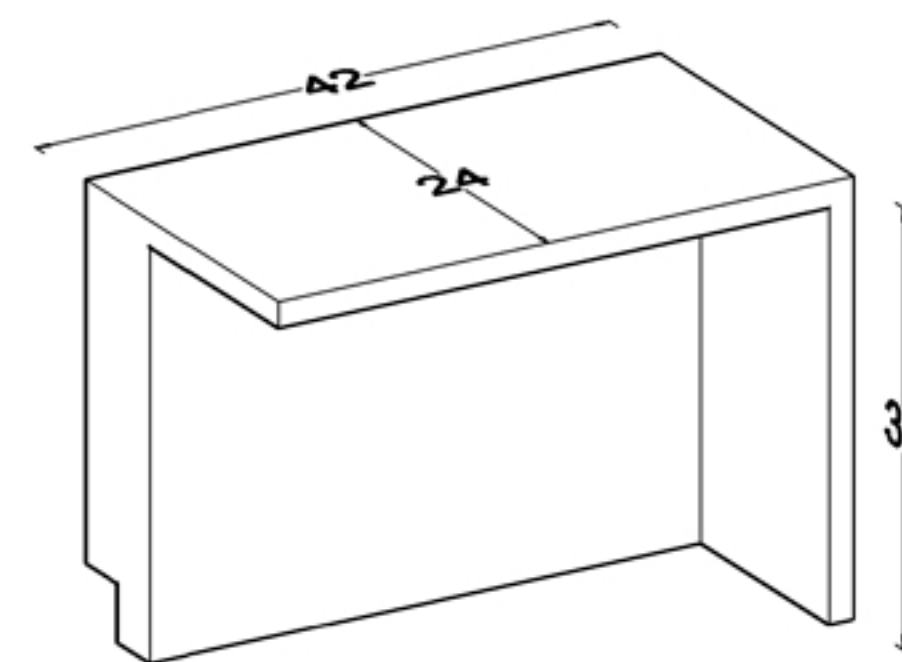


### TOP VIEW



### Extension options

#### LOW EXTENSION

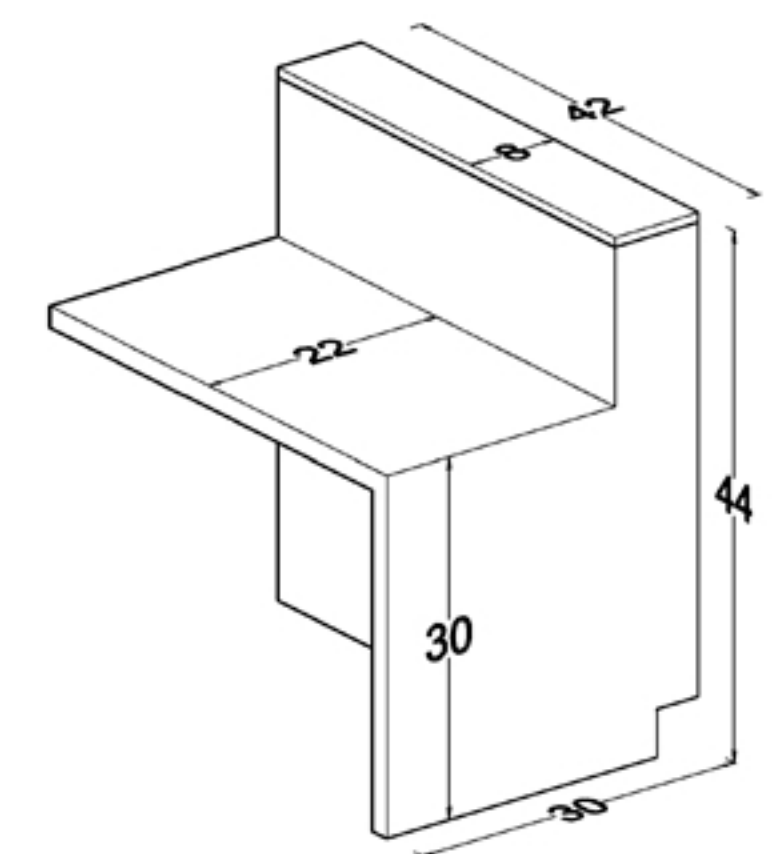


#### WITH COUNTER

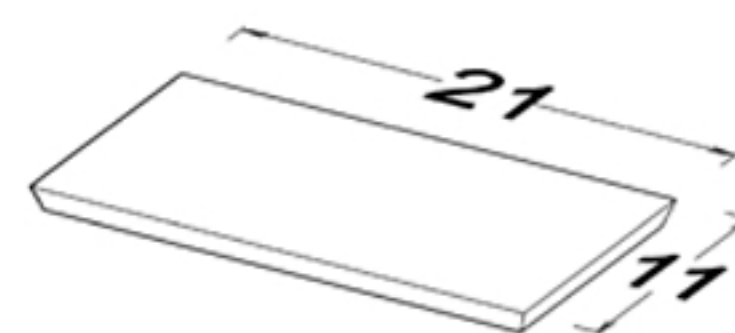
36"

42"

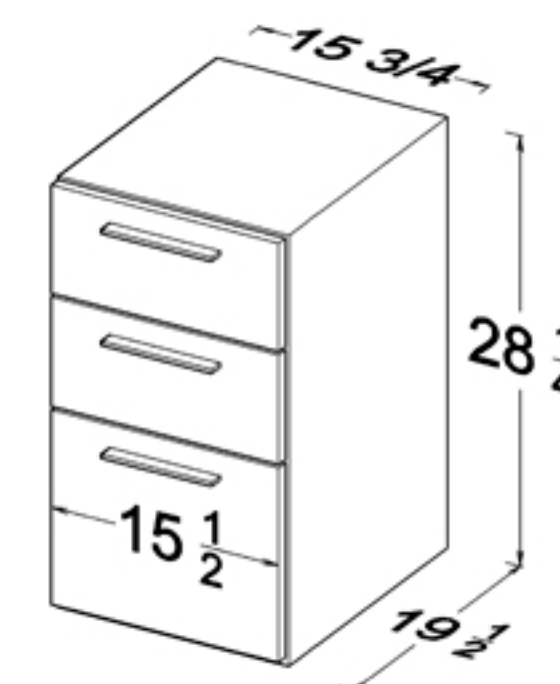
48"



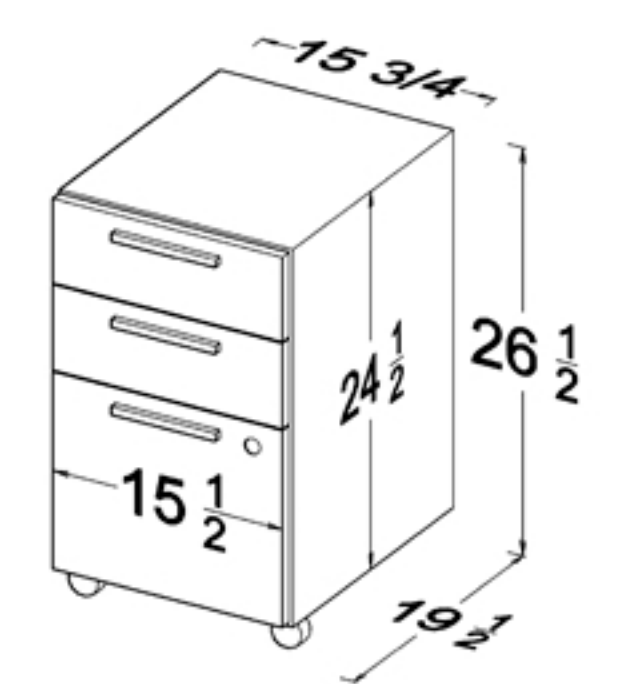
### Storage options



Skinny Plastic Pencil Drawer



Built-In Two Drawer & File Cabinet



Large Mobile Cabinet with Lock